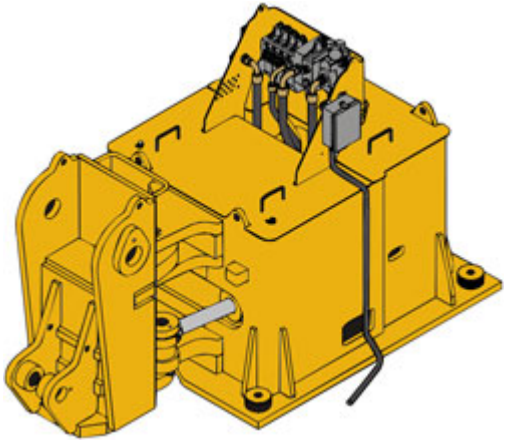


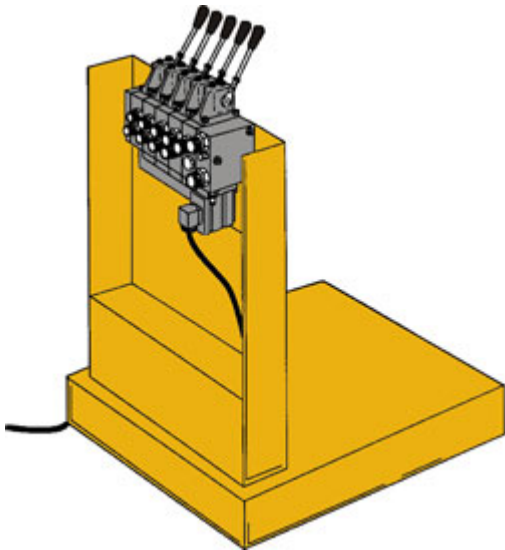
Rockbreaker Systems - Control Options

Pedestal Mounted (Standard):



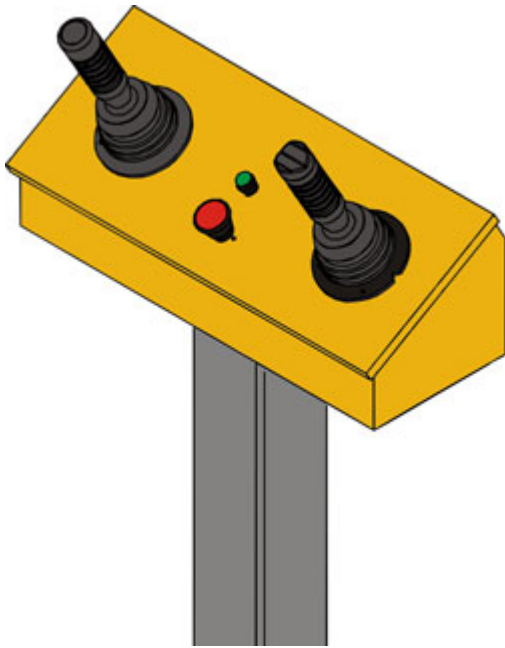
Main controls are mounted on the pedestal. Uses a spring return to neutral hydraulic control valve, manually operated with four levers, providing independent control of all boom functions. The breaker fire control uses an electric foot switch providing positive (instant) control of the breaker. This is used in conjunction with the selected joystick.

Remote Manual Valve Location:



This system can have the main control valve mounted in any convenient position (remote from rockbreaker). Available stand for the valve, for mounting in an existing operator cab, or on or near the operator platform. An electric foot switch fires the breaker. Hose length up to 30 ft (max recommended) Remote manual hose kits are available..

Remote Electro/Hydraulic Joystick Stand (Standard):



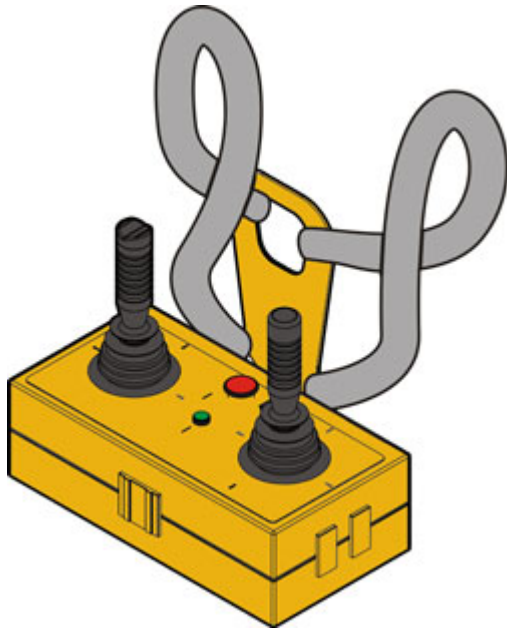
Two dual axis joystick controls with a right-hand thumb switch for breaker fire. Controllers are mounted on a compact control stand making it easy to locate in a crusher control room. An indicator "on" light and a joystick power shutdown button (shutting down power to control valve only) are located on the stand between the controllers.

The main control valve is located on the Rockbreaker pedestal allowing manual override of all functions.

The joystick controller signal travels through a multi-conductor cable to an electrical activating module on each spool of the boom control valve, providing sensitive control for the movement of valve spools.

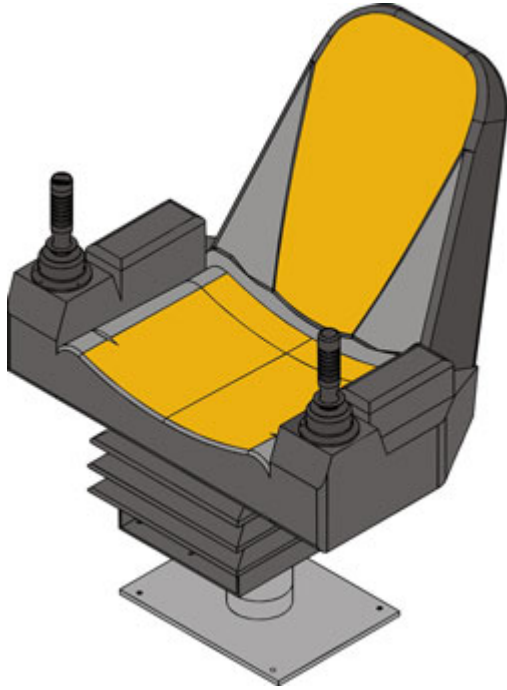
The power supply for the main control valve solenoids is inside the controller stand. The 120V to 240V power "in" and the cable to the power supply are supplied by the customer. The 24V cable (30ft included to 100 max.ft.) from the control stand to the pedestal control valve is supplied by BTI.

Portable Electro/Hydraulic Joystick:



This portable system consists of two dual axis joystick controls with a right-hand thumb switch to fire the breaker. Controllers are mounted in a compact control box allowing operation from any position. An "on" light indicator and joystick power shutdown button (shutting down power to the central valve only) are located between the controllers. Main control valve is located on the Rockbreaker pedestal and permits a manual override on all functions. The signal from the joystick controller is sent via a multi-conductor cable to an electrical activating module on each spool of the boom control valve. These modules provide sensitive control for the movement of spools through an internal pilot circuit providing positive control of all boom functions.

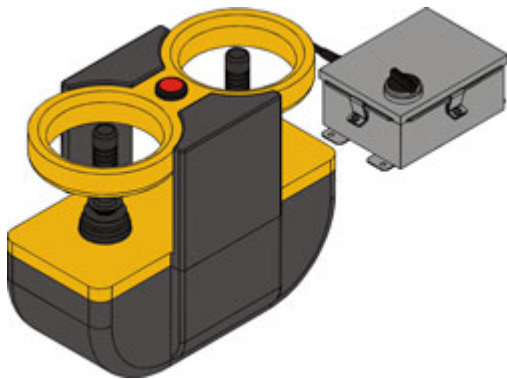
Ergonomic Seat with Joystick Controls:



Combines an ergonomic seat that can be placed in an existing control room or enclosure.

Remote power supply with 120V to 240V supply to the controllers. The 24V cable from seat to pedestal is supplied by BTI.

Radio Remote Control System:



Radio control allowing the operator to work safely from a distance - with a maximum sight line distance of 330 ft. approx.